

**Supplied Hardware:** (8) 5/16-18 serrated flange nuts, Loctite® 242, (1) set of cab end brackets, (1) set of center mounting brackets

**BEDSLIDE**  
GET TO IT.®



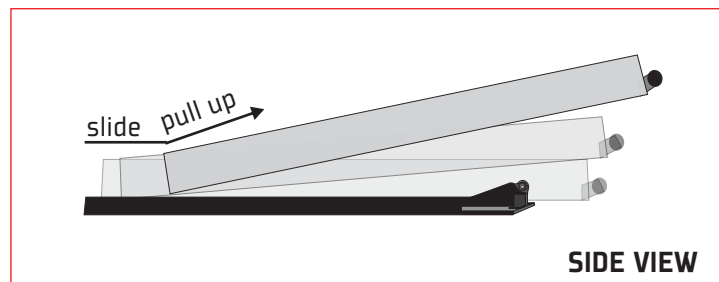
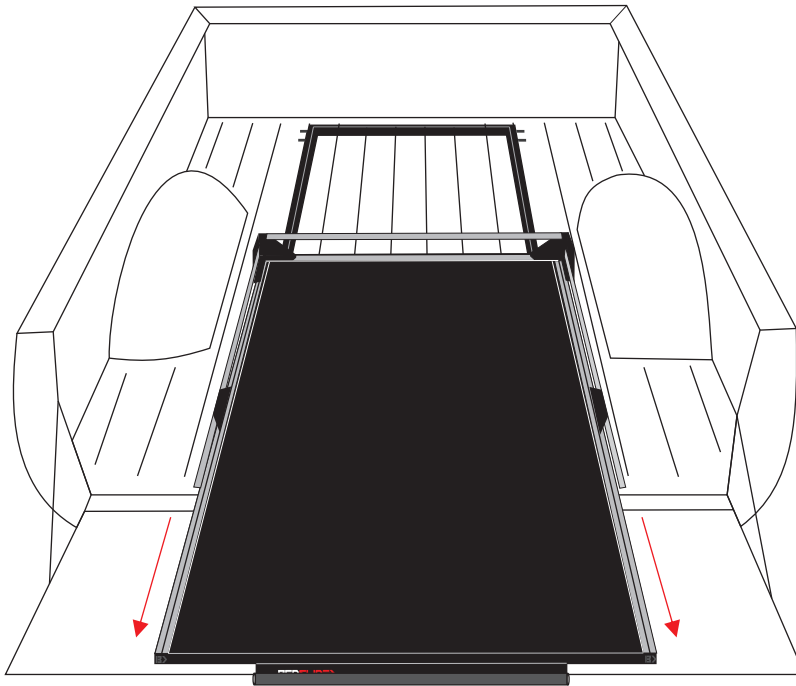
**INSTALLATION  
INSTRUCTIONS**

**Tools Needed:** T-50 Torx bit, ratchet

## STEP 1.

### SEPARATE SLIDING TOP FRAME FROM THE BASE

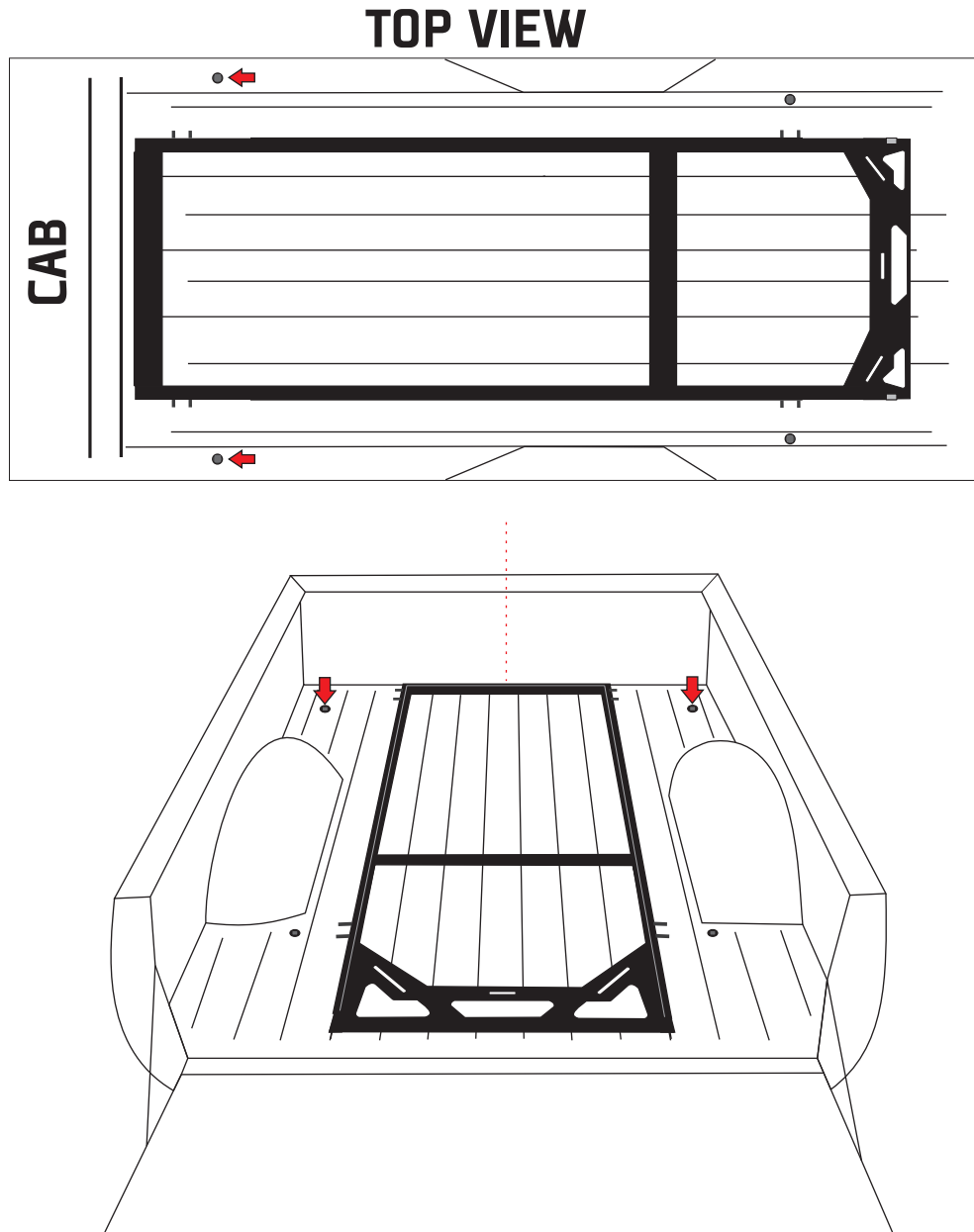
Fully extend the BEDSLIDE® and remove the top frame by lifting up and out. The welded safety stops must go up and over the rear roller bearings and spacer guides in order for the top frame to release.



## STEP 2.

### LOOSEN AND REMOVE CAB END BED BOLTS

Loosen and remove the cab end bed bolts using a ratchet with a T-50 torx bit. **DO NOT REMOVE ALL 4 BED BOLTS AT ONCE!** Removal of all 4 bed bolts will allow the bed to move out of alignment. This will make it difficult to re-install the bed bolts.



### STEP 3.

#### ATTACH FRONT (CAB END) MOUNTING BRACKETS

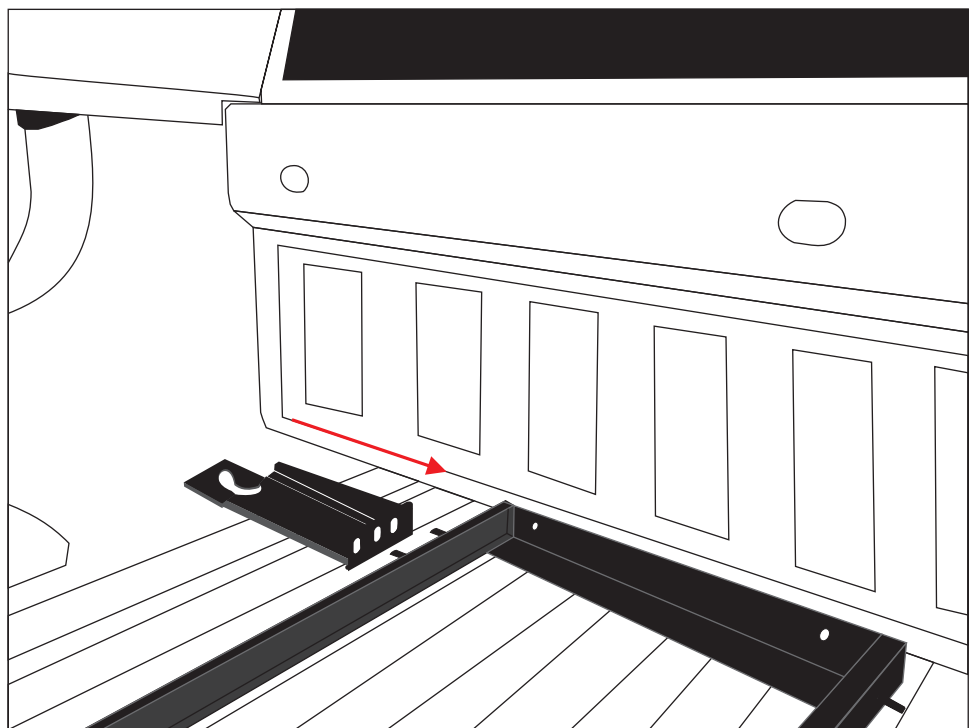
Attach LEFT and RIGHT mounting brackets to the threaded studs affixed to each side of the base frame. Secure each bracket with two 5/16-18 serrated flange nuts.

**TIGHTEN TO 13 FT. LBS.**



x4

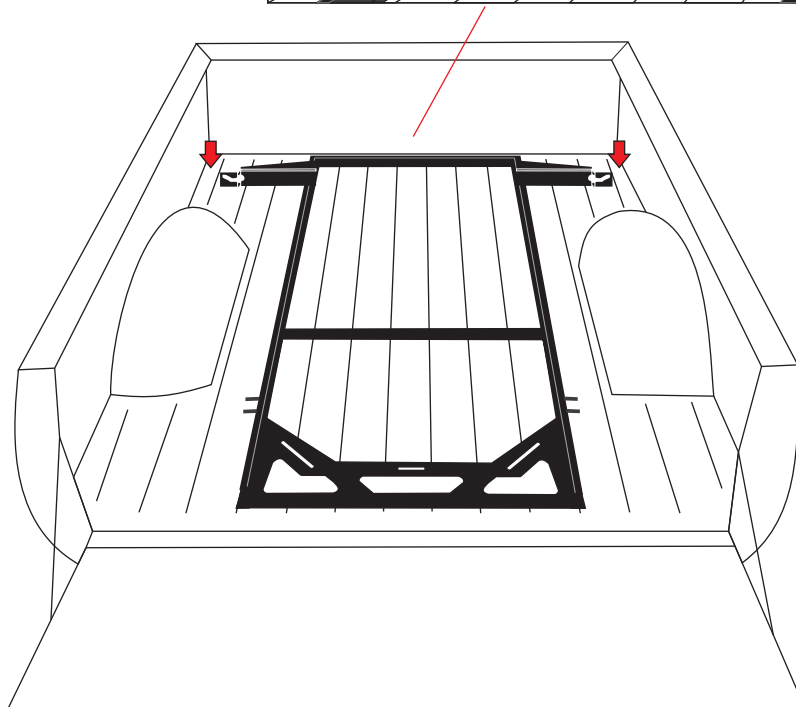
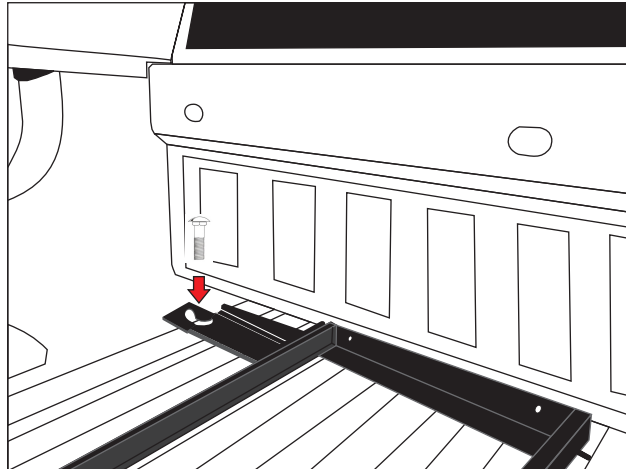
5/16-18 SERRATED  
FLANGE NUT



**STEP 4.**

**SECURE FRONT (CAB END) MOUNTING BRACKETS TO THE BED**

Apply a small bead of Loctite® 242 to the threads of the new factory bed bolts and secure both the LEFT and RIGHT mounting brackets directly to the bed. **DO NOT TIGHTEN!!**

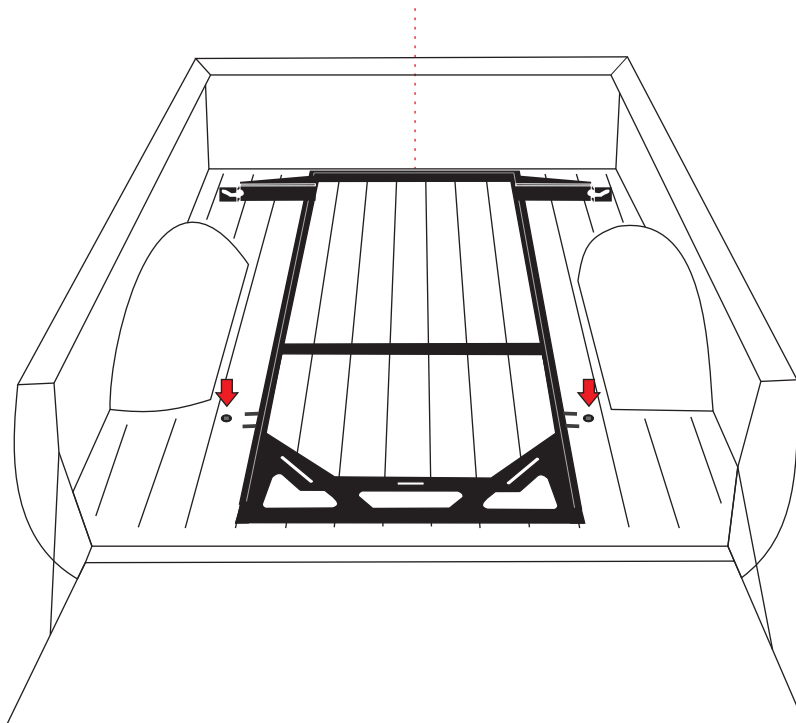
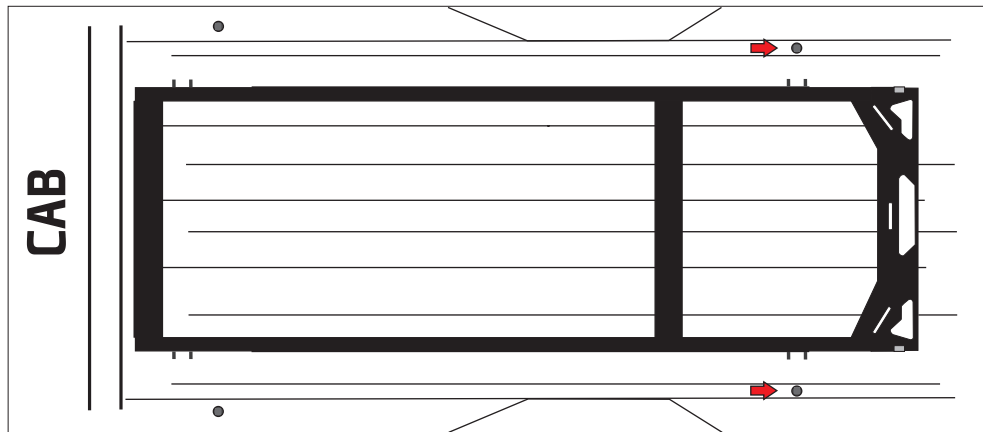


## STEP 2.

### LOOSEN AND REMOVE CENTER BED BOLTS

Loosen and remove the center bed bolts using a ratchet with a T-50 torx bit. **DO NOT REMOVE ALL 4 BED BOLTS AT ONCE!** Removal of all 4 bed bolts will allow the bed to move out of alignment. This will make it difficult to re-install the bed bolts.

### TOP VIEW



### STEP 3.

#### ATTACH REAR MOUNTING BRACKETS

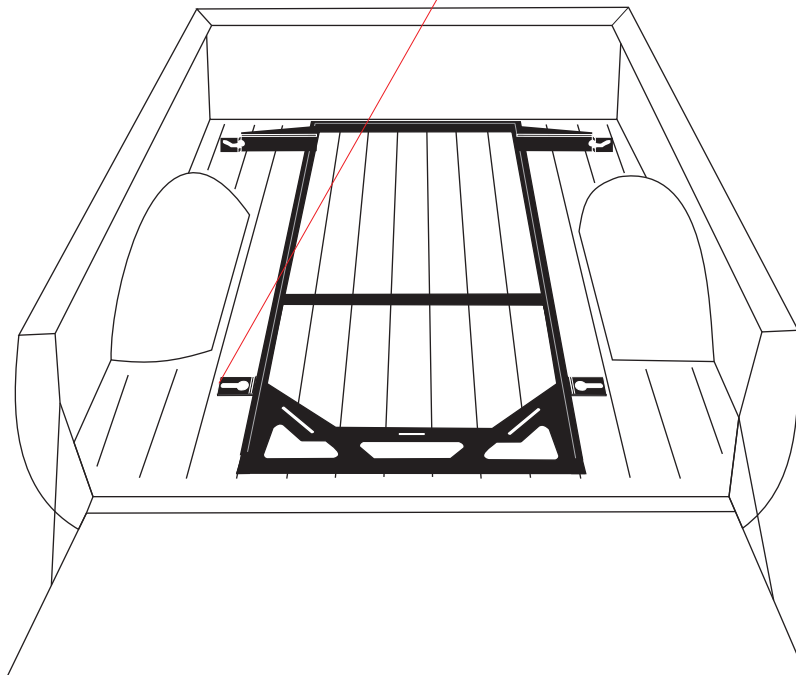
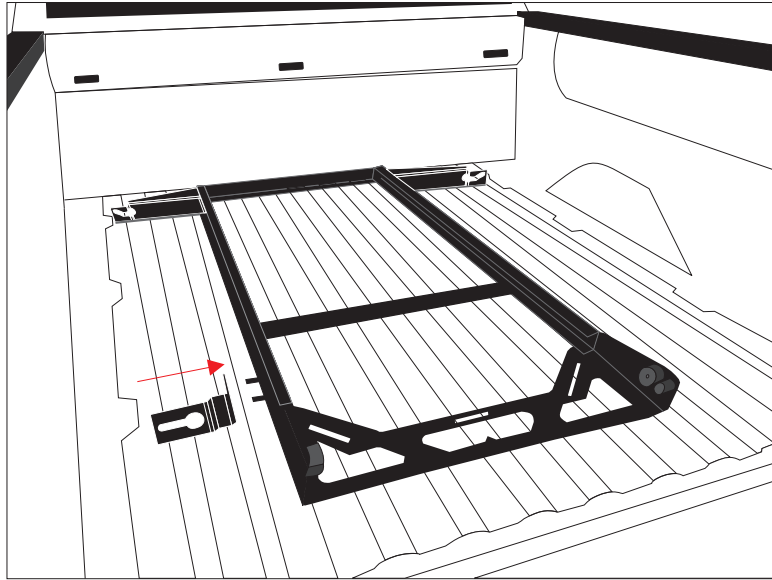
Attach LEFT and RIGHT mounting brackets to the threaded studs affixed to each side of the base frame. Secure each bracket with two 5/16-18 serrated flange nuts.

**TIGHTEN TO 13 FT. LBS.**



x4

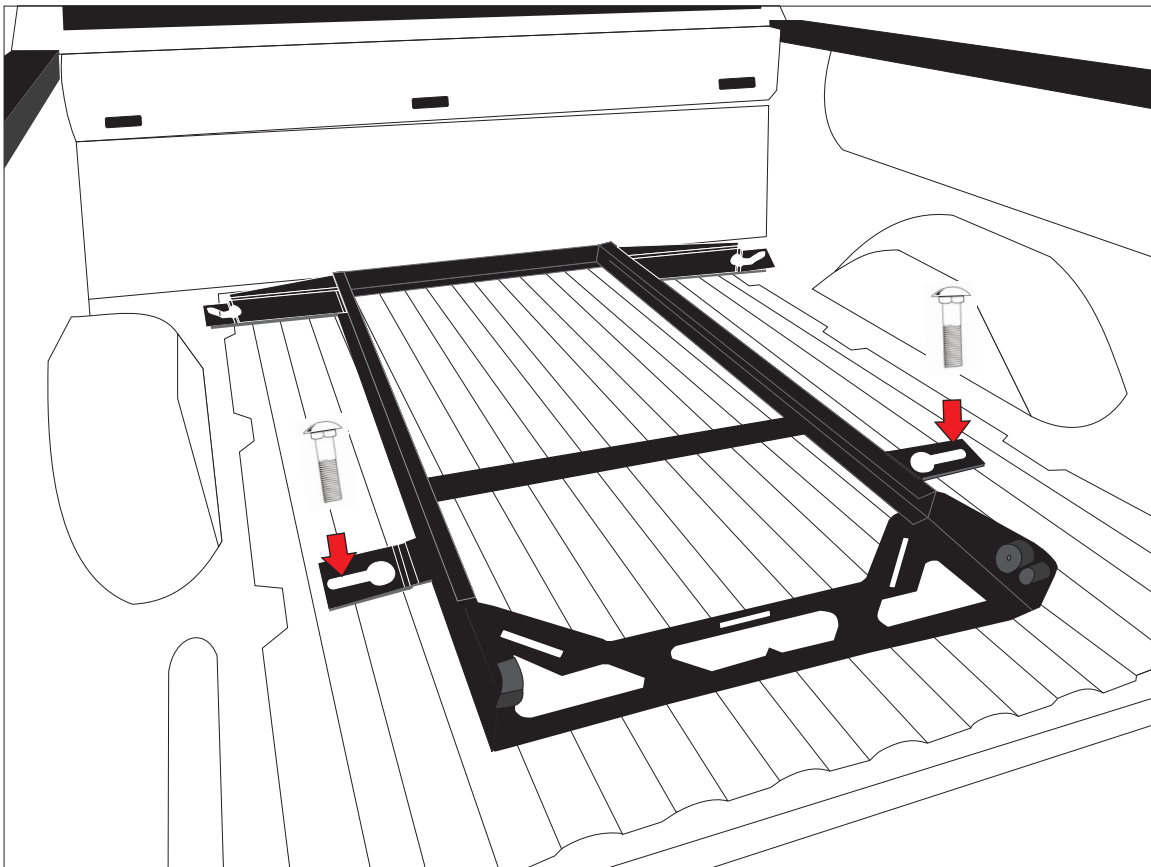
5/16-18 SERRATED  
FLANGE NUT



#### STEP 4.

#### SECURE REAR MOUNTING BRACKETS TO THE BED

Apply a small bead of Loctite® 242 to the threads of the new factory bed bolts and secure both the LEFT and RIGHT mounting brackets directly to the bed. **TIGHTEN ALL FOUR FACTORY BED BOLTS TO 59 FT. LBS. TO SECURE THE BEDSLIDE® IN PLACE.**



## STEP 6.

### RE-INSTALL SLIDING TOP FRAME

Re-install the BEDSLIDE® top frame into the base by placing top frame over the rear bearings and sliding the frame forward to the stowed position.

